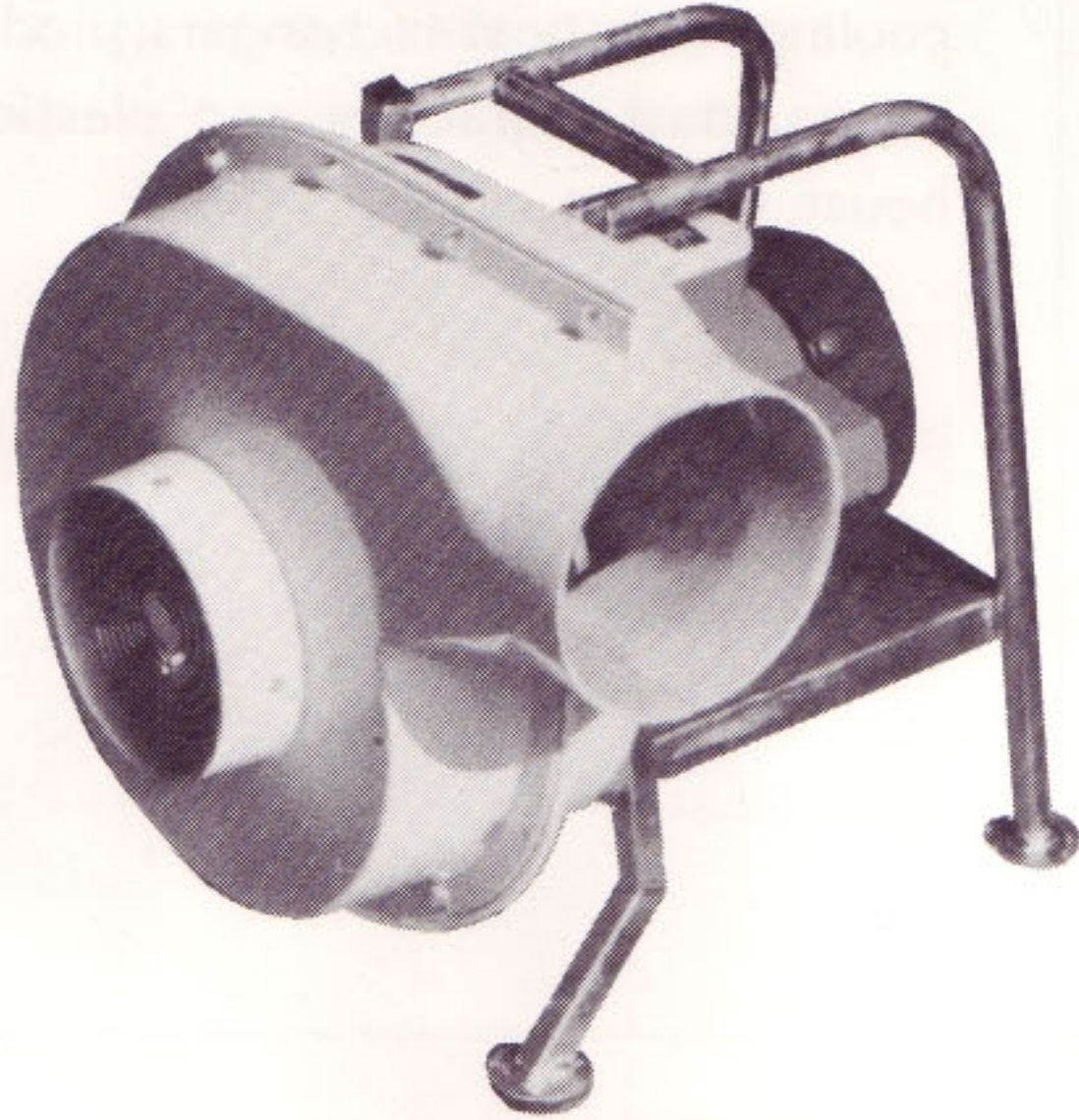


# ROTATING MACHINERY SUPPLIES LIMITED

P.O. Box 5155, 17 Somerset St., Hamilton. Phone (071) 473-374. Fax (071) 470-724.

## R.M.S. VORTEX

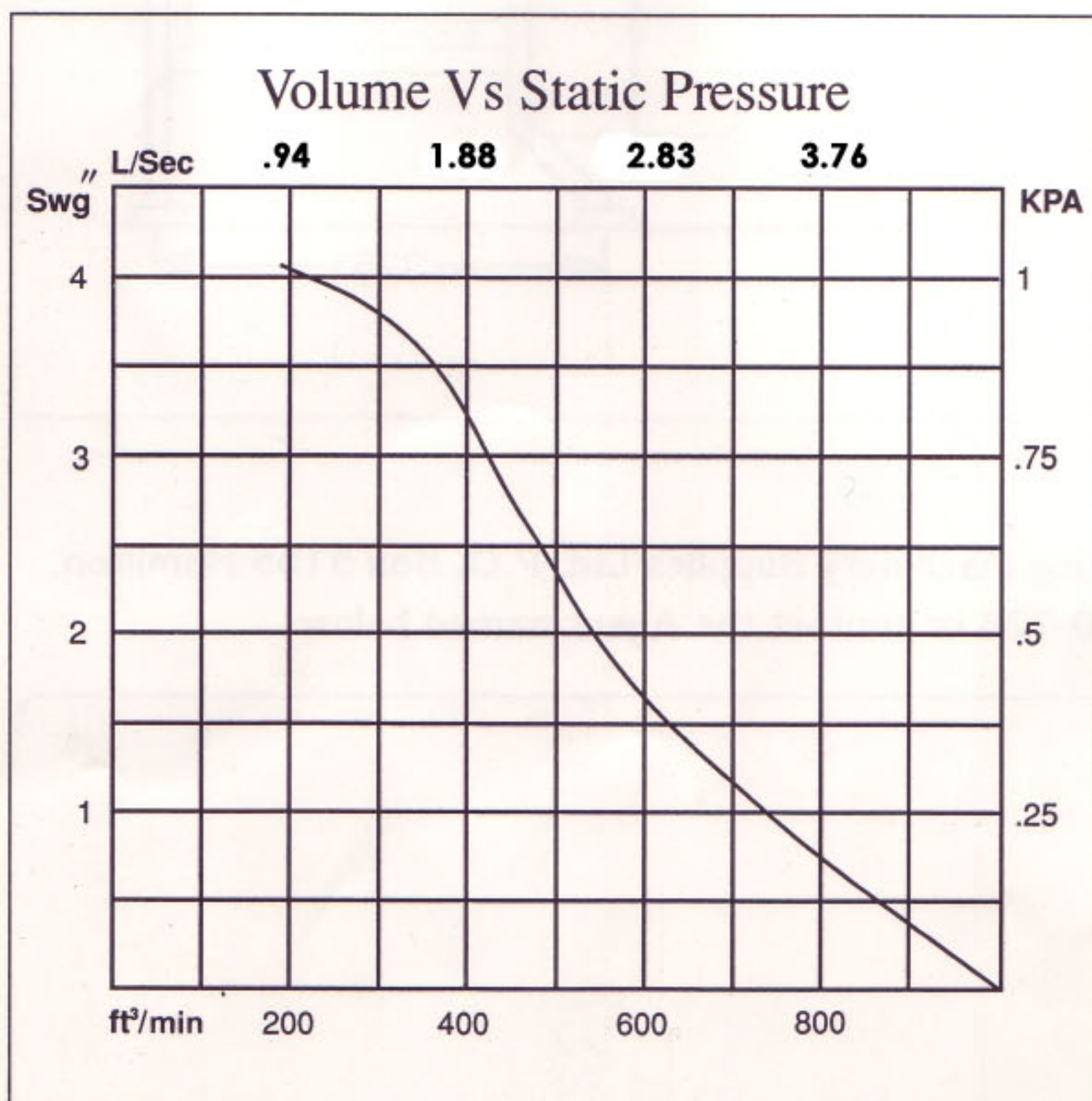


The R.M.S. Vortex is a New Zealand designed and built fan produced to meet the demand for a lightweight, powerful, portable ventilator. At free air the Vortex delivers an impressive 1000 cubic feet of air per minute. The Vortex is capable of handling high static losses and is therefore ideal for use with long runs of either flexible or rigid ducting.

The standard Vortex is powered by a 75Kw 2800 rpm TEFC single phase electric motor fitted with a lead and plug top. The motor base and fan frame has four legs to provide optimum stability. Rubber feet are fitted to prevent the machine from slipping whilst in use and to avoid damage to

surfaces on which it is placed. The carry handle is located over the machines' centre of gravity for ease of handling. At a well balanced **17Kg** the Vortex is easily managed by one person. An inlet finger guard is standard on the Vortex fan. Metalwork on the Vortex is electrogalvanised. The cast aluminium impeller is generously proportioned for strength and dynamically balanced for smooth vibration free operation. The fan scroll is **rotationally moulded plastic finished in beige.**

## APPLICATIONS:



### Engineering:

Welding fume removal, fresh air supply to welders operating in confined spaces. Personnel coolers in boilerhouses, foundries and other hot working environments.

### Plant Maintenance:

The supply of fresh air to or the extraction of obnoxious or dangerous fumes from poorly ventilated areas encountered in the course of plant maintenance.

### Chemical:

Fume cupboard ventilation, chemical stores and for localised ventilation during packing and handling.

### Manufacturing:

Forced cooling of product, extrusion cooling, machinery venting, fine dust removal.

### Electrical:

Forced cooling of switchrooms, switch cabinets, capacitor banks, contactors, chokes and electronic components.

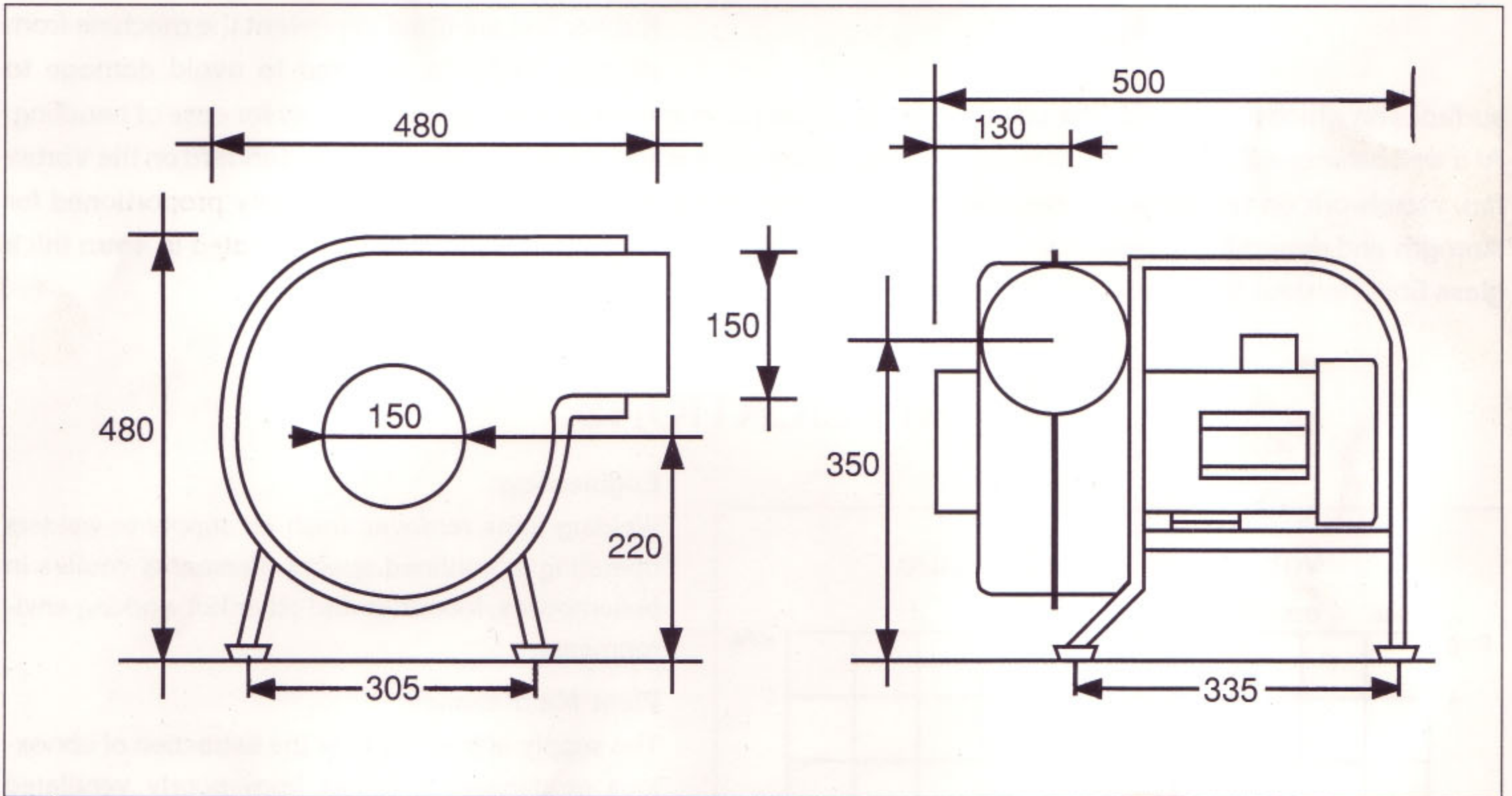


A number of variants of the standard Vortex are available. Belt drives, flameproof drives, 1400 rpm 230 volt and 400 volt drives and D.C. variable speed drives can all be fitted to the Vortex fan. Specialised finishes such as stainless steel frames and impellers, IP55 motors and internal scroll coatings for the chemical industry or for outdoor applications are available.

Vortex fans are suitable for permanent installations in ducted systems or for inclusion in permanent plant and machinery such as vacuum tables, glass handling tables, forced cooling banks heat exchangers, product blast dryers, dust extractors and plastic greenhouse inflation.

**Vortex Technical Specification:**

Free air capacity .....	999cfm
Maximum Total Pressure .....	4" Twg
Noise Level (open inlet/outlet) .....	89dBa
Noise Level (Damped inlet) .....	80dBa
Motor Kw .....	<b>.75</b>
Motor Speed .....	2800 rpm
Supply Voltage .....	230/50/1Ø
Full Load Current.....	4-8 amperes
Rating .....	MCR
Weight .....	<b>17Kg</b>
Spigot Diameters (approximate) .....	150 mm Ø



For further information please contact us at Rotating Machinery Supplies Ltd, P.O. Box 5155 Hamilton.  
 Phone (071) 473-374. Fax (071) 470-724 or contact the Agent named below.

**AGENT:**

