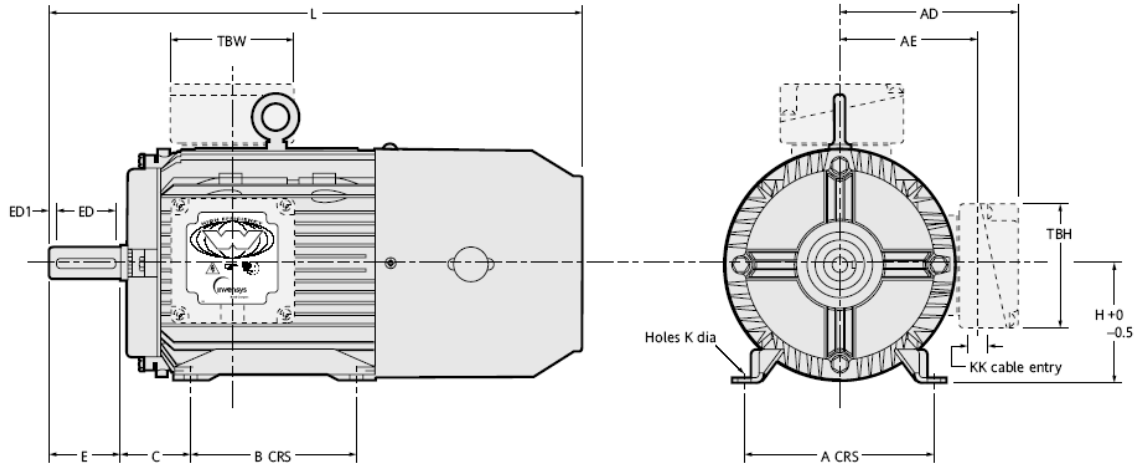


AC & DC Brake Motors – 63 to 132 Aluminium Frame



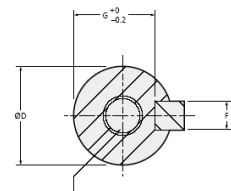
Dimensions

IM B3, IM 1001

Type	General							Terminal box			
	A	B	C	H	K	L	AD	AE	TBW	TBH	KK
63S	100	80	40	63	7	306	106	76	103	103	20
71S	112	90	45	71	7	293	121.5	91.5	103	103	20
80M	125	100	50	80	10	367	132	102	103	103	20
90S	140	100	56	90	10	425	140	110	103	103	20
90L	140	125	56	90	10	425	140	110	103	103	20
100L	160	140	63	100	12	458	149	123.5	155	127	20
112M	190	140	70	112	12	468	156	130.5	155	127	25
132S	216	140	89	132	12	560	179	153.5	155	127	25
132M	216	178	89	132	12	560	179	153.5	155	127	25

IM B3, IM 1001

Type	Shaft drive end						
	D	E	F	G	ED	ED1	DH
63S	11	23	4	8.5	10	0	M4 x 10
71S	14	30	5	11	20	5	M5 x 12.5
80M	19	40	6	15.5	32	4	M6 x 16
90S	24	50	8	20	40	5	M8 x 19
90L	24	50	8	20	40	5	M8 x 19
100L	28	60	8	24	50	5	M10 x 22
112M	28	60	8	24	50	5	M10 x 22
132S	38	80	10	33	70	5	M12 x 28
132M	38	80	10	33	70	5	M12 x 28

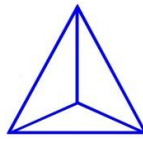


Shaft tapped
DH x deep to DIN 332
Form D

All data is subject to confirmation by BROOK-MTL

BROOK-MTL, 63 Allens Road, East Tamaki, Auckland, New Zealand
Tel +64 9 271 6063 - Fax +64 9 271 6020 - www.brookmtl.co.nz - info@brookmtl.co.nz

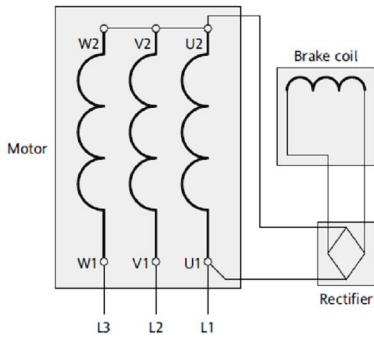
Associate company: Rotating Machinery Supplies, 6 Devon Road, Hamilton rotatingmachinery@clear.net.nz



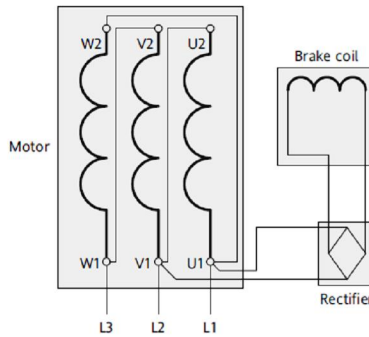
Brake Motor Connection Diagrams

DC Brakes

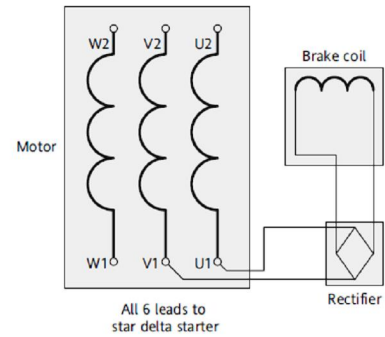
Single voltage
Direct on line star connected



Single voltage
Direct on line delta connected



Single voltage
Star delta connected



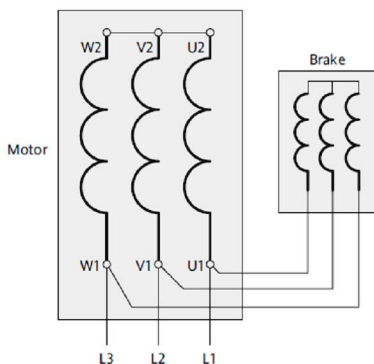
Rectifier

A half wave rectifier is fitted within the terminal box and wired direct to the motor terminal board, on frame sizes 180 and below. Larger motors are supplied with the rectifier in a separate terminal box when required. Rectifiers for forced voltage (fast response). or higher output voltages, can be supplied on request

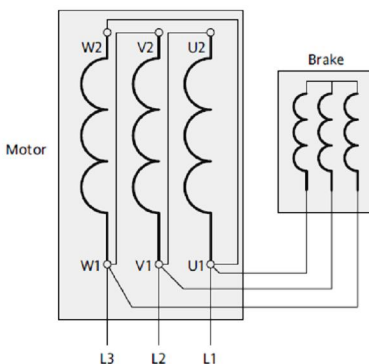
When brake motor is fitted to a variable speed drive, a separate suitable supply must be fitted to the rectifier via the drive.

3 phase AC Brakes

Single voltage
Direct on line star connected



Single voltage
Direct on line delta connected



Single voltage
Star delta connected

