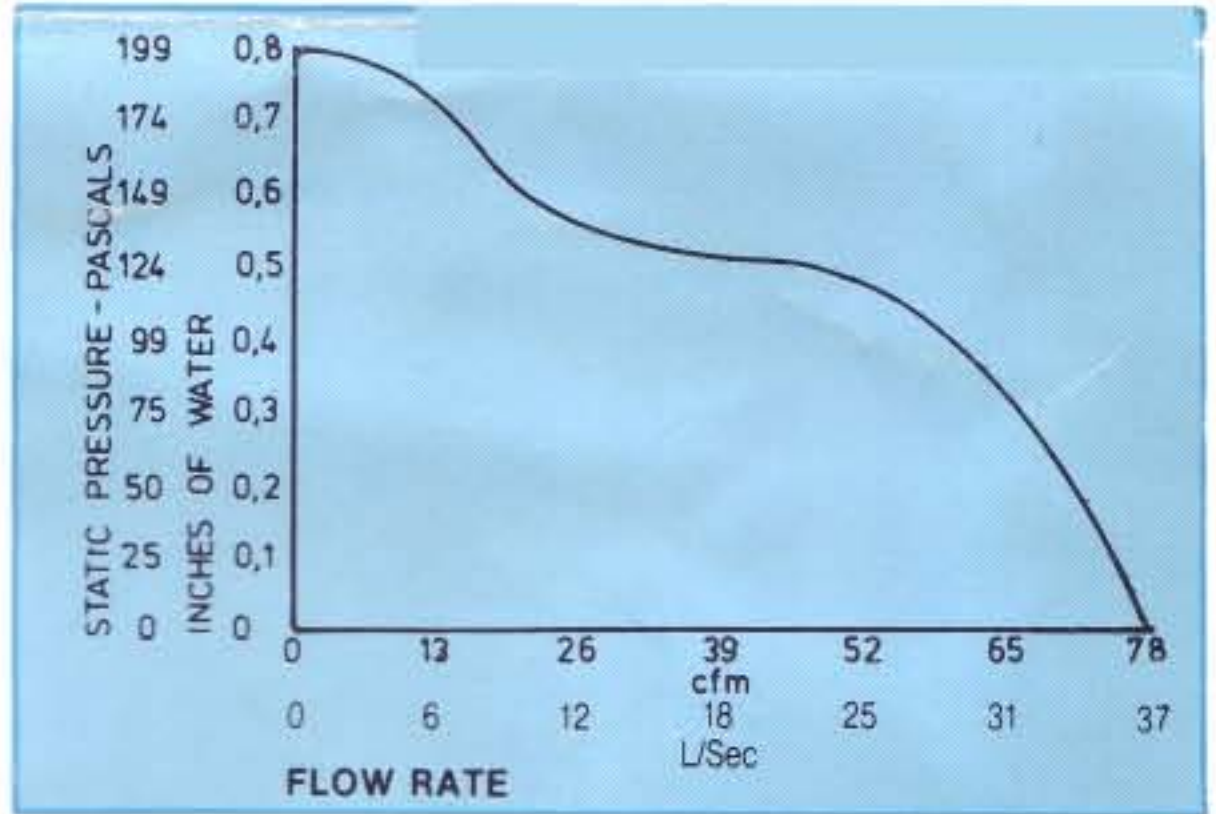
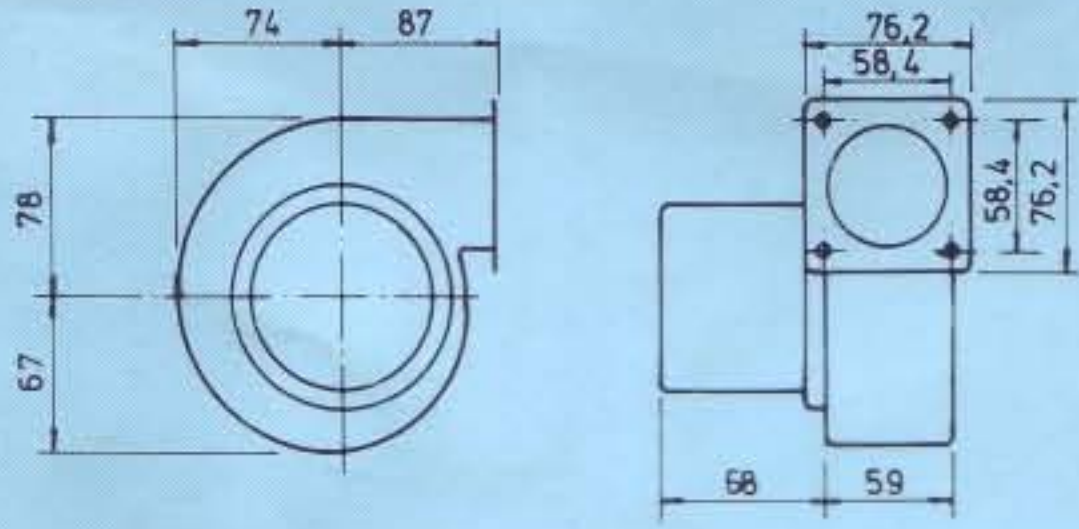
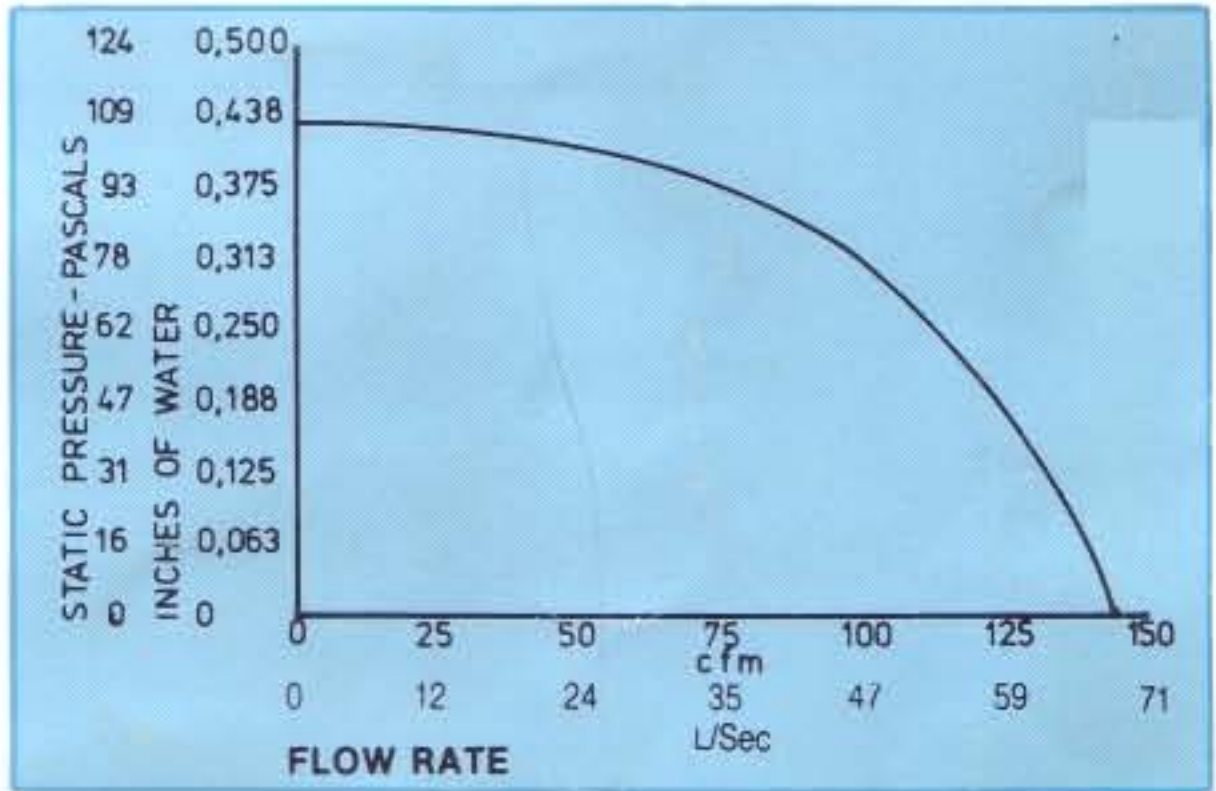
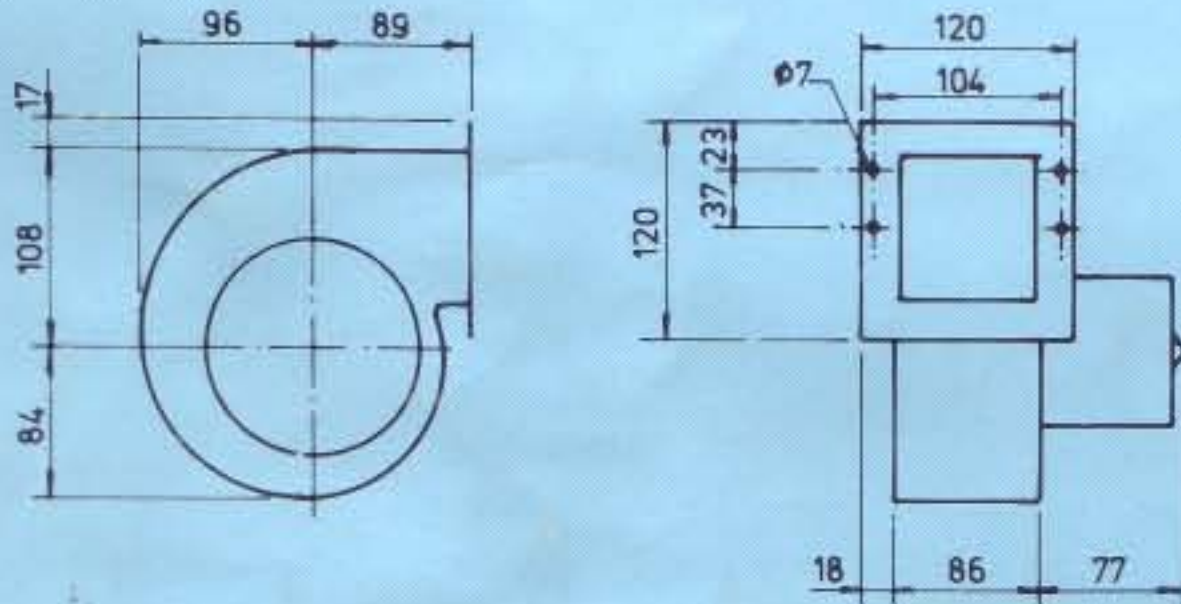


# AC BLOWERS

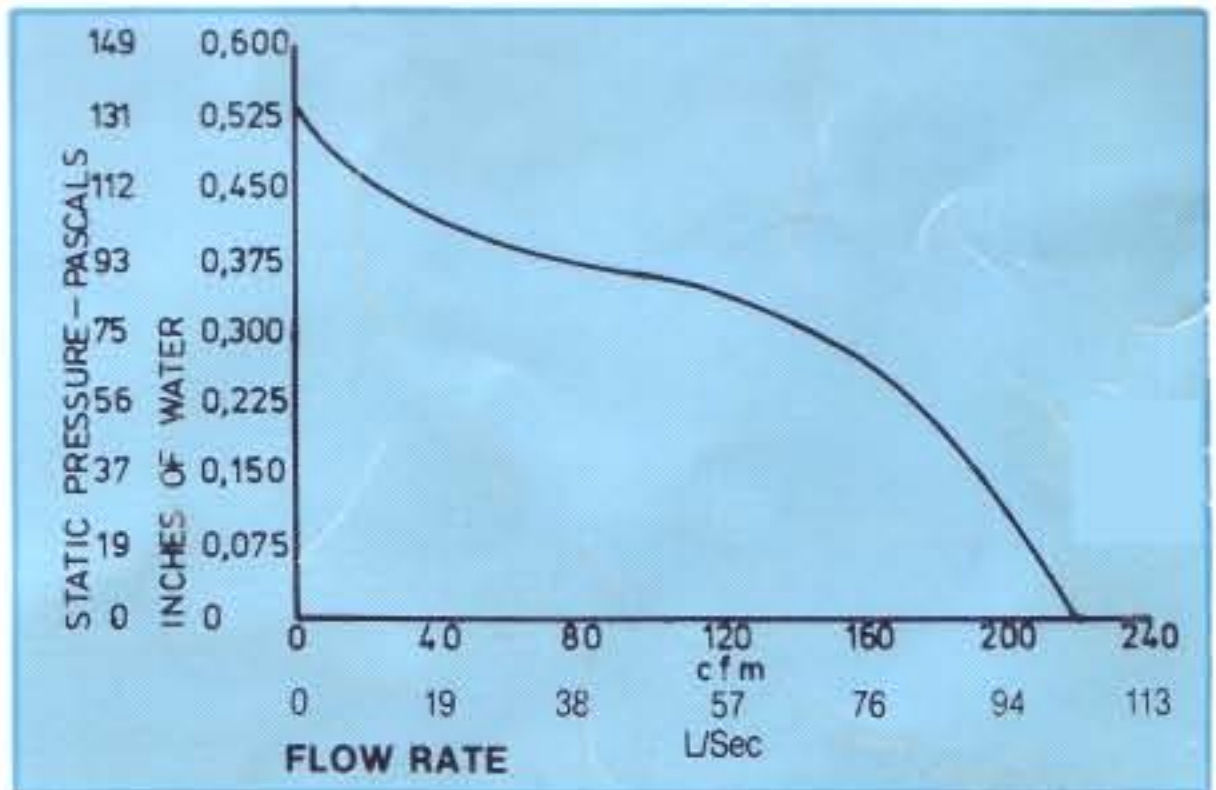
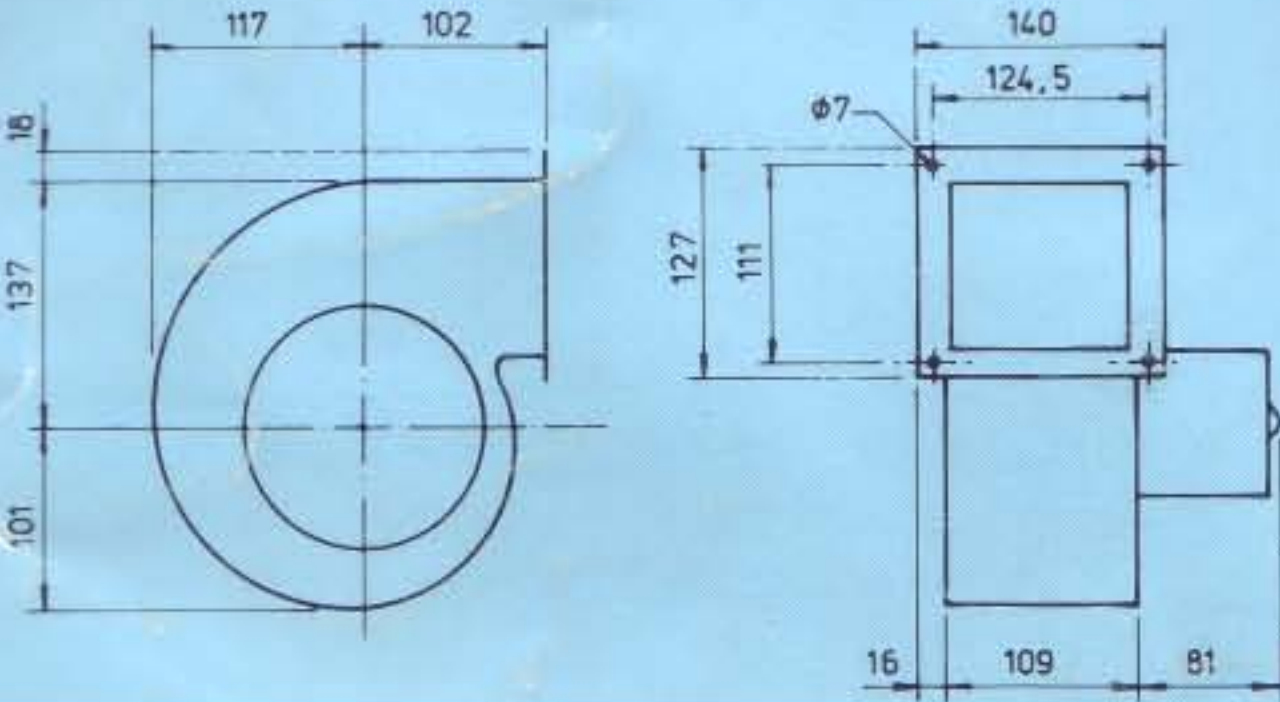
**EB-80**  
80 CFM  
38 L/Sec



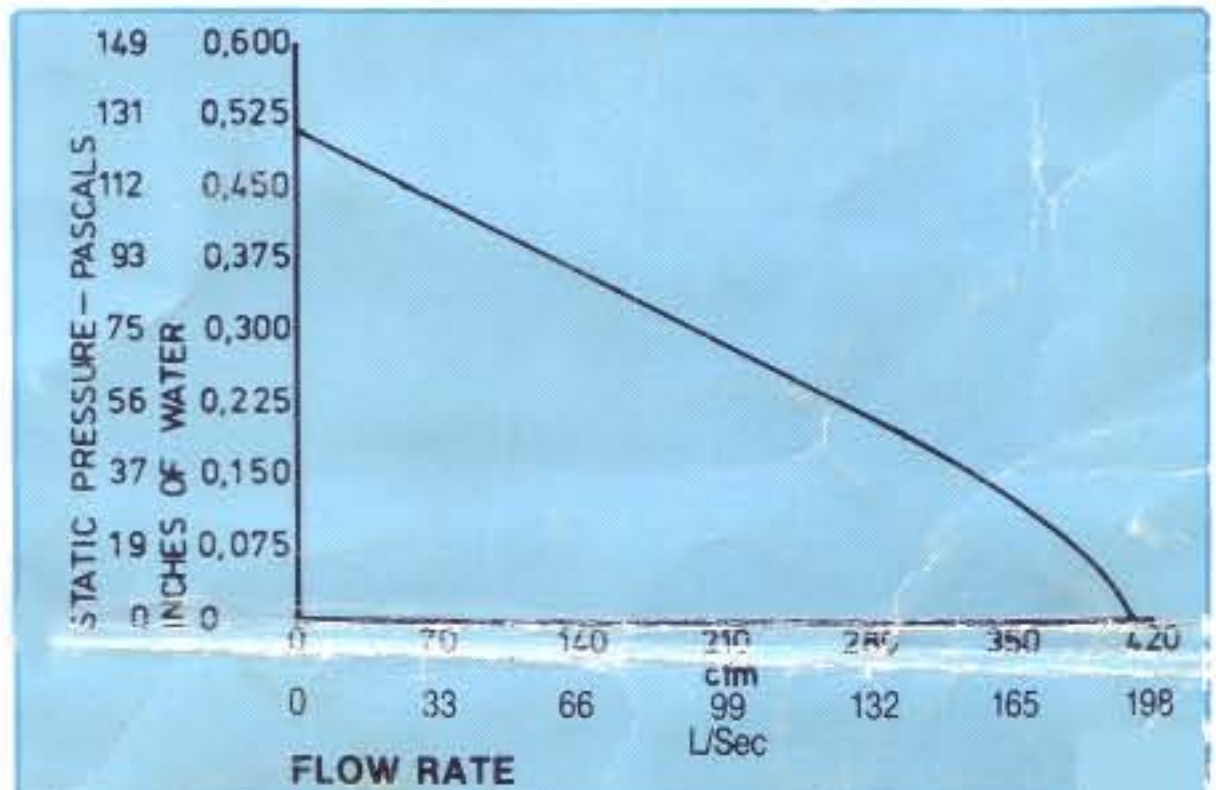
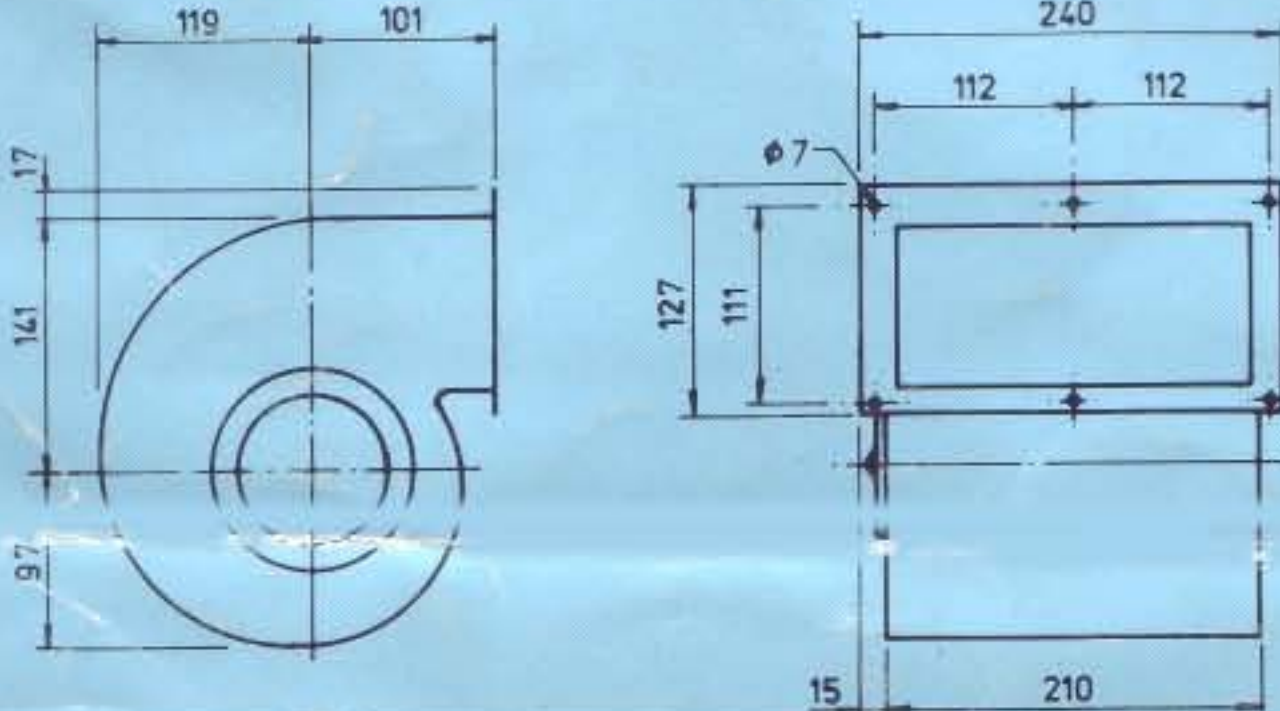
**EB-140**  
140 CFM  
66 L/Sec



**EB-220**  
220 CFM  
104 L/Sec



**EB-400**  
400 CFM  
189 L/Sec

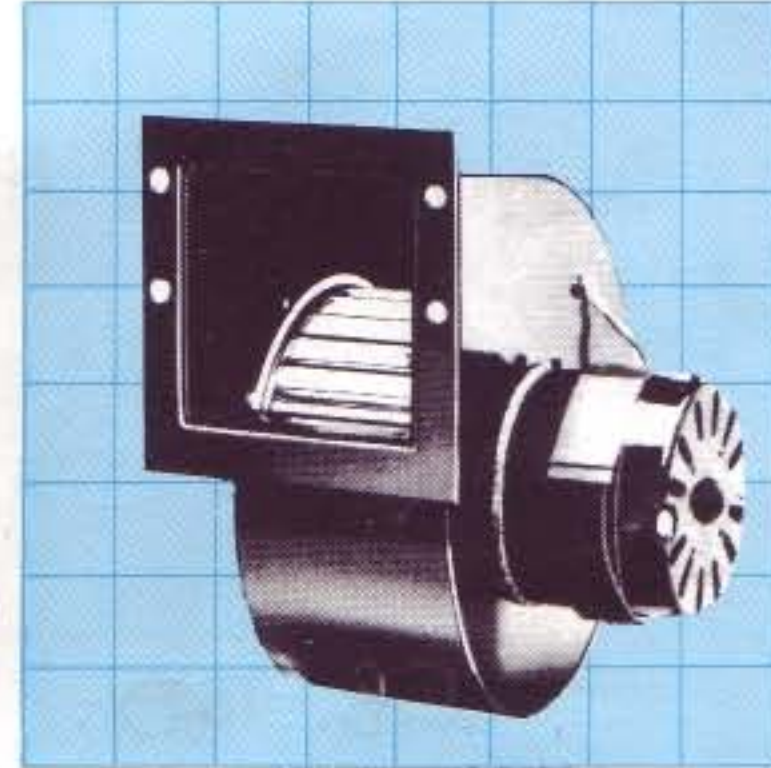




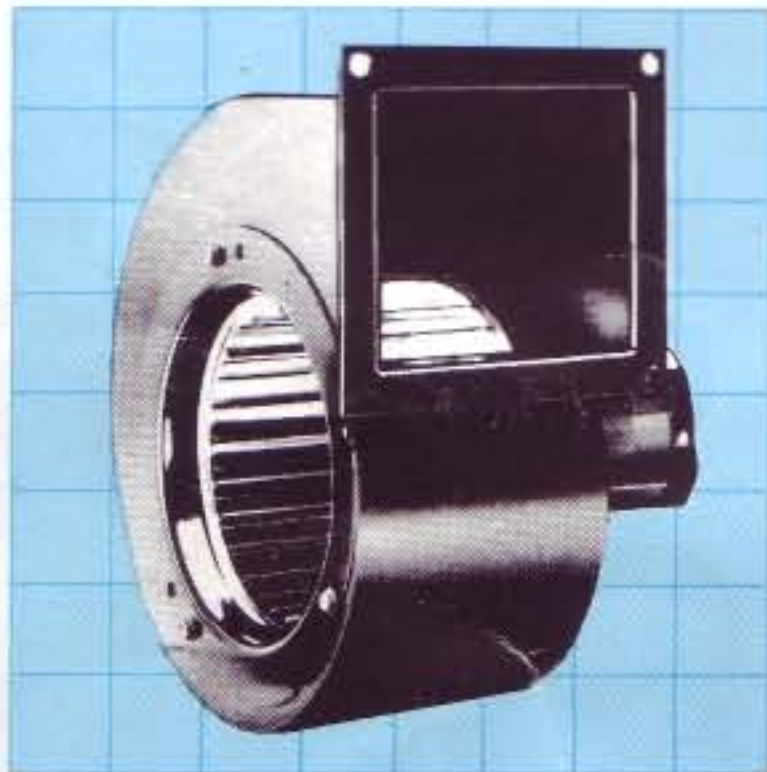
# Hamer Electrical Co Ltd



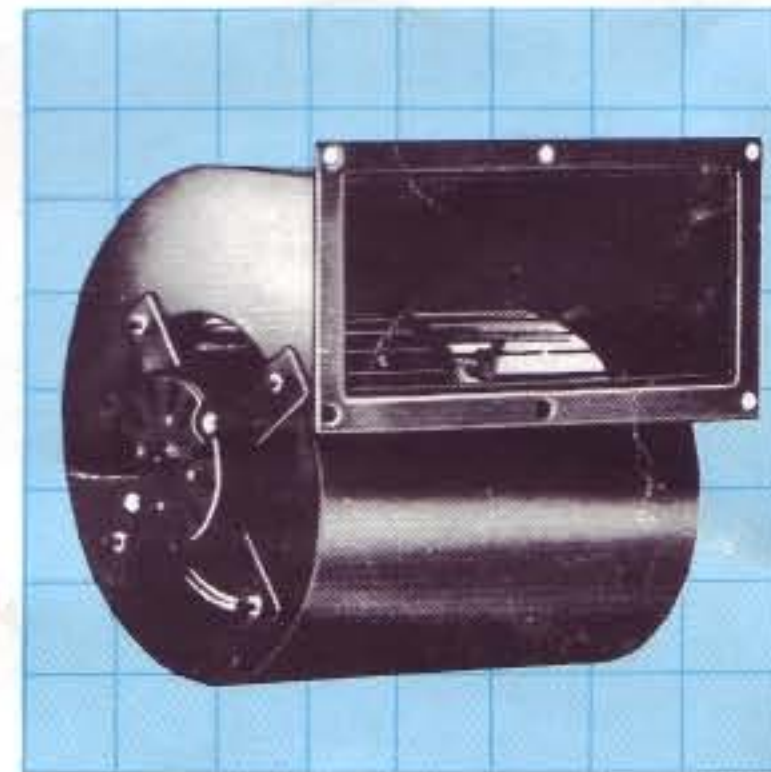
**EB-80**  
80 CFM



**EB-140**  
140 CFM



**EB-220**  
220 CFM



**EB-400**  
400 CFM

## AC BLOWER UNITS


ELECTROHOME AC Blower Units have been specifically designed and engineered for air moving applications. Incorporating the Electrohome Type 62 and Type 68 motors with balanced blower wheels for quiet running, the totally enclosed recirculating bearing system, using high temperature oil, allows the units to be installed in any position. Although all motors are "B" Class insulation and either impedance protected or fitted with thermal cutouts, they are designed to run at low temperature rise.

Blower units are flange mounting with a baked enamel metal housing and blower wheel, of either aluminium or galvanised steel.

Blowers are suitable for connection to 240 Volt, 50Hz power supply and may be used in conjunction with a speed controller if necessary. 26 inches of 3 core flex is standard.

**WE'LL MOVE THE AIR!**

Distributed by:

 **Hamer Electrical Co. Ltd**

**AUCKLAND:**  
PO Box 8647  
Tel (09) 605-974  
Fax (09) 603-688

**WELLINGTON:**  
PO Box 13-370  
Tel (04) 711-275  
Fax (04) 711-290

**CHRISTCHURCH:**  
PO Box 798  
Tel (03) 662-483  
Fax (03) 660-680

**DUNEDIN:**  
PO Box 2141  
Tel (024) 790-757  
Fax (024) 773-715