



# 'G' high efficiency - EFF<sub>1</sub> aluminium motors

Frames 63 to 132M



## Brook Crompton Greaves Ltd.

B-108/109, MIDC,  
AHMEDNAGAR - 414 111, (M. S.) India.  
Tel. No. : +91 241 2777144, 2778538  
Fax : +91 241 2778566, 2777162  
Email : admin@cgbhindia.com

# 'G' high efficiency - EFF<sub>1</sub> aluminium motors 63 to 132M



## **Brook Crompton Greaves Ltd.**

Brook Crompton Greaves Ltd. is a leading manufacturer of electric motors for the global industrial market, with motor solutions which benefit a wide range of customers.

Our products are used in almost every industrial activity including water treatment, building services, chemical/petrochemicals, general processing and conveyors among others.

## **Quality Assurance**

Stringent quality procedures are observed from first design to finished product in accordance with the ISO 9001 documented quality systems.

## **“G” high efficiency - EFF<sub>1</sub> range**

The Brook Crompton Greaves Ltd. aluminum motor range covers products with outputs as little as 0.18KW to 11KW in frame sizes G-DA 63 to 132 M. They are widely used in a diverse range of applications from food to drinking water and sewage, from heating and ventilating to refrigeration. Some of the benefits of aluminium over cast iron include high resistance to corrosion and atmospheric attack (except chlorine, salt-laden or sulphuric acid) and the fact that aluminium is approximately one third the weight of cast iron.

## **Multi-mount**

By simply changing the position of the feet, the user is able to obtain right, left or top mounted terminal box positions and by removing the standard endshield you can change it for a flange or face version.

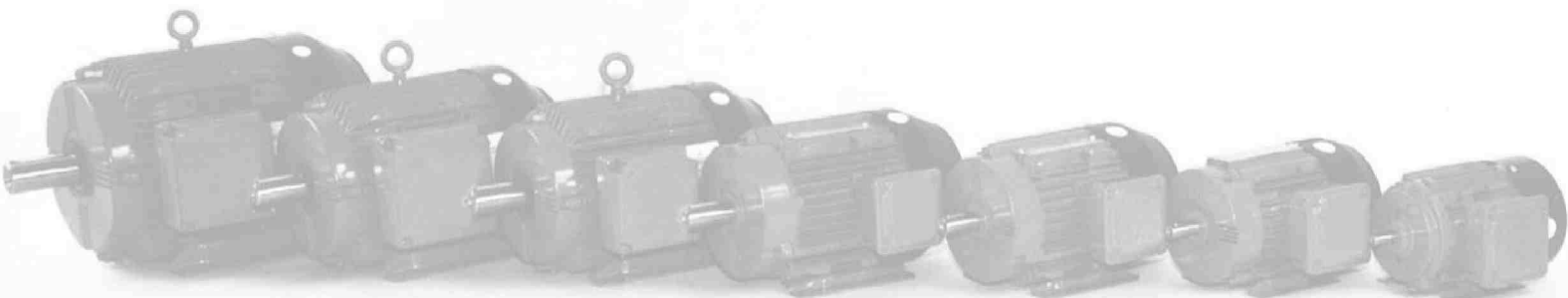
## **Benefits include**

1. Energy efficient / low running cost
2. Low noise levels
3. Wide voltage: 415 V +/-10%
4. Frequency : 50 HZ +/-5%
5. High power factor
6. High torque with smooth acceleration and low current
7. IP55 protection
8. Class “F” insulation with class “B” rise.

## **Standards**

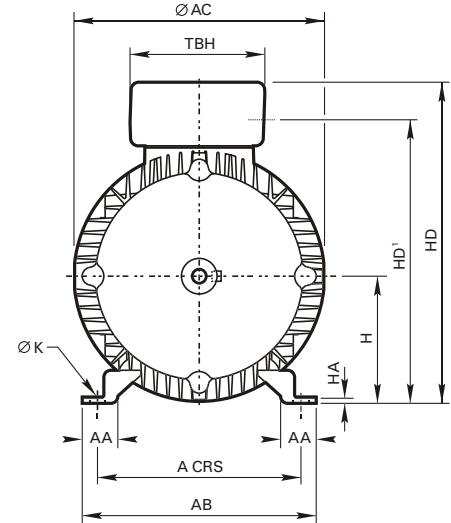
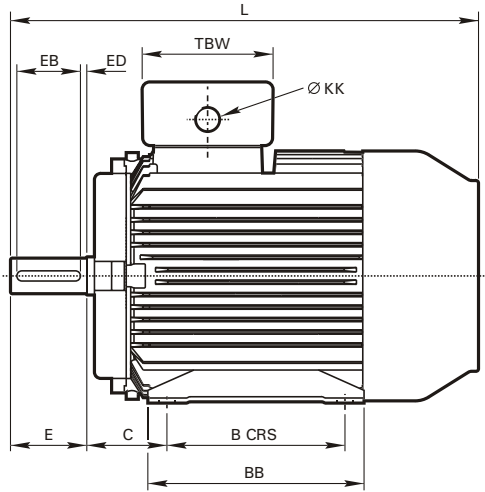
The motors conform to IS 325 IEC 34, IEC 72, BS 4999, BS 3979 and BS4999 standards. The motors meet EN 61000-3-2 VDE 0839 Teil 82-2, VDE 0875 Teil 14 standards and carry CE mark for Europe. Motors are also offered to CSA C22.2 NO. 100-95 and UL 1004 for safety and carry c-CSA-us mark, for Canada and U.S.A.

The standard TEFC, SCR, 50HZ motors are with EFF1 level efficiencies as per IS 12615 and CEMEP Agreement with EU for Energy Efficient Motors.



# Dimensions

Foot mounting - frame sizes 63 to 132M



Type	General											Terminal box				
	A	B	C	H	K	L	AA	AB	AC	BB	HA	HD	HD'	TBW	TBH	KK
G-D A63S	100	80	40	63	7	207	19	119	126	100	2	163	138	86	86	20
G-D A71S	112	90	45	71	7	238	19	131	140	110	2	186	162	86	86	20
G-D A80M	125	100	50	80	10	278	27	157	160	127	4	212	183	86	86	20
G-D A90S	140	100	56	90	10	322	28	164	178	150	4	225	201	86	86	20
G-D A90L	140	125	56	90	10	322	28	164	178	150	4	225	201	86	86	20
G-D A100L	160	140	63	100	12	368	28	184	199	170	4	254	223	106	106	20
G-D A112M	190	140	70	112	12	382	35	218	215	170	4	279	245	127	127	25
G-D A132S	216	140	89	132	12	451	38	242	255	208	5	320	287	127	127	25
G-D A132M	216	178	89	132	12	451	38	242	255	208	5	320	287	127	127	25

## Approximate shipping specifications

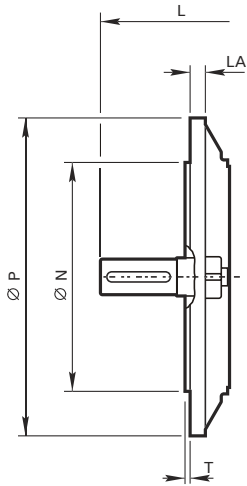
Type	Net weight (kg)	Gross weight (kg)	Cubage (m <sup>3</sup> )
G-D A63S	5	5.4	0.01
G-D A71S	6.5	6.9	0.01
G-D A80M	9	10	0.02
G-D A90S	12.5	13.5	0.03
G-D A90L	14.5	15.5	0.03
G-D A100L	24.3	27	0.038
G-D A112M	29.4	33	0.05
G-D A132S	45	50	0.071
G-D A132M	50	56	0.076



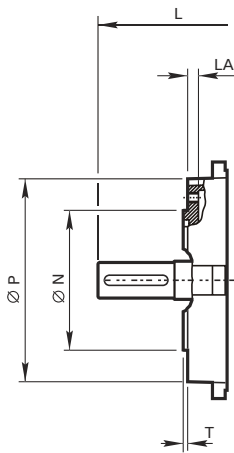
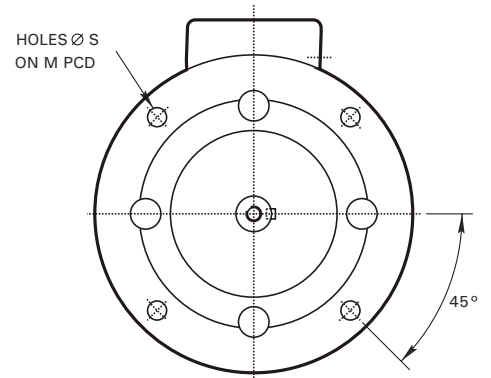
Shaft Grinding M/c - Kellenberger

# Dimensions

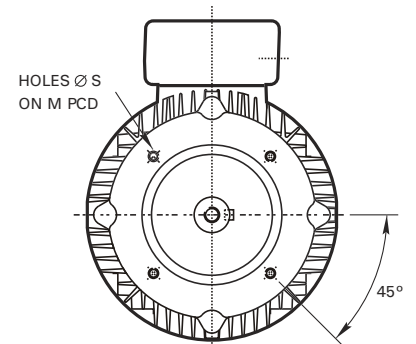
Flange and Face mounting - frame sizes 63 to 132M



Type	IM B5 mounting					
	M	N	P	S	T	LA
G-D A63S	115	95	140	10	3	7
G-D A71S	130	110	160	10	3.5	7
G-D A80M	165	130	200	12	3.5	12
G-D A90S	165	130	200	12	3.5	10
G-D A90L	165	130	200	12	3.5	10
G-D A100L	215	180	250	14.5	4	12
G-D A112M	215	180	250	14.5	4	12
G-D A132S	265	230	300	14.5	4	12
G-D A132M	265	230	300	14.5	4	12

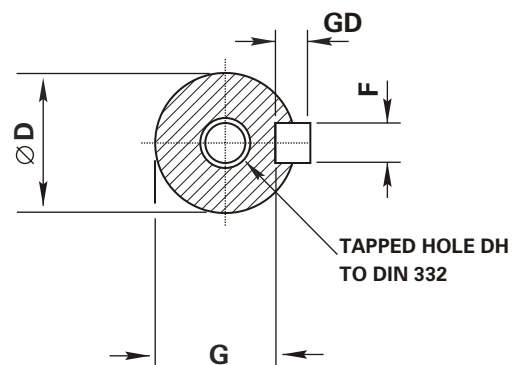


Type	IM B14 mounting					
	M	N	P	S	T	LA
G-D A63S	75	60	90	M5	2.5	7
G-D A71S	85	70	105	M6	2.5	9
G-D A80M	100	80	120	M6	3	9
G-D A90S	115	95	140	M8	3	9
G-D A90L	115	95	140	M8	3	9
G-D A100L	130	110	160	M8	3.5	12.5
G-D A112M	130	110	164	M8	3.5	13
G-D A132S	165	130	200	M10	3.5	14
G-D A132M	165	130	200	M10	3.5	14



## Shaft Dimensions

Type	Shaft							
	D	E	F	G	GD	EB	ED	DH
G-D A63S	11	23	4	8.5	4	10	13	M4X10
G-D A71S	14	30	5	11	5	20	5	M5X12.5
G-D A80M	19	40	6	15.5	6	32	4	M6X16
G-D A90S	24	50	8	20	7	40	5	M8X19
G-D A90L	24	50	8	20	7	40	5	M8X19
G-D A100L	28	60	8	23.9	7	50	5	M10X22
G-D A112M	28	60	8	23.9	7	50	5	M10X22
G-D A132S	38	80	10	33	8	70	5	M12X28
G-D A132M	38	80	10	33	8	70	5	M12X28



# 'G' high efficiency - EFF<sub>1</sub> aluminium motors 63 to 132M

Brook Crompton Greaves Ltd.

High Efficiency-EFF<sub>1</sub> Aluminium Motors

"G" MOTOR PERFORMANCE DATA																		
VOLTAGE : 415 +/- 10%V FREQUENCY : 50 +/- 5% HZ COMBINED VARIATION : +/- 10% ( ABSOLUTE SUM)						TYPE : SQUIRREL CAGE (SCR) RATING : CONTINUOUS INSULATION : CLASS 'F' WITH CLASS 'B' TEMP.RISE						AMBIENT : 50 DEG C TEMP.RISE(R) : 70 DEG C DEGREE OF PROTECTION : IP55						
KW	HP	P O L E	FRAME	FL RPM	FLC AMPS	FLT Kg-m	EFFICIENCY %			POWER FACTOR			DOL		POT %FLT	GD SQ KGMSQ	APP ROX. NET WT. KG	
							FL	3/4 LOAD	1/2 LOAD	FL	3/4 LOAD	1/2 LOAD	STG T %FLT	STG C %FLC				
0.18	0.25	2	GD63S	2810	0.53	0.06	69	66	61	0.69	0.60	0.49	190	350	240	0.002	5.0	
0.18	0.25	4	GD63S	1370	0.56	0.13	66	65	60	0.67	0.58	0.47	220	310	220	0.003	5.0	
0.18	0.25	6	GD71S	910	0.65	0.19	64	62	57	0.61	0.54	0.45	170	300	190	0.003	6.5	
0.25	0.33	2	GD63S	2810	0.62	0.09	70	70	64	0.80	0.72	0.61	230	450	250	0.003	5.0	
0.25	0.33	4	GD71S	1400	0.72	0.17	71	70	65	0.68	0.59	0.49	180	400	220	0.003	6.5	
0.25	0.33	6	GD71S	920	0.91	0.27	64	62	57	0.60	0.53	0.43	170	300	190	0.003	6.5	
0.37	0.5	2	GD71S	2815	0.83	0.13	73	74	73	0.85	0.78	0.66	180	500	210	0.002	6.5	
0.37	0.5	4	GD71S	1410	1.00	0.25	73	71	66	0.71	0.61	0.50	180	400	220	0.003	6.5	
0.37	0.5	6	GD80M	920	1.12	0.39	71	70	67	0.64	0.55	0.45	200	370	220	0.006	9.0	
0.55	0.75	2	GD71S	2820	1.14	0.19	76	76	75	0.88	0.83	0.73	190	500	210	0.003	6.5	
0.55	0.75	4	GD80M	1410	1.43	0.38	78	77	72	0.70	0.61	0.51	200		220	0.006	9.0	
0.55	0.75	6	GD80M	920	1.58	0.58	73	73	70	0.66	0.58	0.46	200	370	230	0.008	9.0	
0.75	1	2	GD80M	2850	1.57	0.25	79	79	75	0.84	0.79	0.68	220	550	250	0.006	9.0	
0.75	1	4	GD80M	1410	1.72	0.52	82.5	81	79	0.76	0.68	0.54	200	470	220	0.008	9.0	
0.75	1	6	GD90S	920	1.92	0.80	76	76	74	0.72	0.62	0.50	220	410	240	0.011	12.5	
1.1	1.5	2	GD80M	2870	2.22	0.38	82	82	80	0.84	0.77	0.66	270	670	270	0.008	9.0	
1.1	1.5	4	GD90S	1410	2.44	0.76	83.8	82	80	0.78	0.69	0.56	220	550	250	0.011	12.5	
1.1	1.5	6	GD90L	940	2.91	1.14	80	79	77	0.66	0.56	0.46	280	450	300	0.016	14.5	
1.5	2	2	GD90S	2870	3.00	0.51	84.1	84	82	0.84	0.77	0.66	250	600	300	0.009	12.5	
1.5	2	4	GD90L	1420	3.21	1.03	85	83	82	0.79	0.71	0.59	250	575	280	0.014	14.5	
1.5	2	6	GD100L	930	3.87	1.57	81	81	79	0.67	0.58	0.47	200	420	230	0.036	24.3	
2.2	3	2	GD90L	2850	4.12	0.75	85.6	85	84	0.87	0.83	0.73	250	630	300	0.011	14.5	
2.2	3	4	GD100L	1415	4.42	1.51	86.4	85	84	0.82	0.76	0.64	200	600	210	0.032	24.3	
2.2	3	6	GD112M	950	5.04	2.25	84	84	82	0.73	0.63	0.51	280	580	280	0.056	29.4	
3.7	5	2	GD100L	2875	7.32	1.27	87.5	86	82	0.84	0.79	0.73	250	630	300	0.025	24.3	
3.7	5	4	GD112M	1415	7.33	2.54	88.3	86	85	0.82	0.77	0.68	200	600	210	0.044	29.4	
3.7	5	6	GD132M	950	7.72	3.75	86	86	86	0.77	0.68	0.59	280	580	280	0.108	50.0	
5.5	7.5	2	GD112M	2910	10.19	1.86	88.6	87	84	0.87	0.84	0.78	250	630	300	0.032	29.4	
5.5	7.5	4	GD132S	1445	10.31	3.70	89.2	89	89	0.84	0.78	0.67	240	700	290	0.076	45.0	
5.5	7.5	6	GD132M	960	11.56	5.58	88	88	87	0.75	0.69	0.58	200	550	250	0.116	50.0	
7.5	10	2	GD132S	2900	12.60	2.52	90	91	90	0.92	0.90	0.84	250	820	300	0.080	45.0	
7.5	10	4	GD132M	1445	13.84	5.06	90.1	90	89	0.84	0.79	0.68	240	720	310	0.100	52.0	
9.3	12.5	2	GD132M	2900	15.62	3.12	90.5	91	90	0.92	0.90	0.84	250	820	300	0.092	54.0	
9.3	12.5	2	GD132M	1445	17.10	6.27	90.5	91	90	0.92	0.90	0.84	240	720	300	0.12	57.0	



Automatic Coil Insertion



Automatic End Forming



CNC Machining



Sold & Serviced by :



**CROMPTON GREAVES LTD.**

A-6/2, MIDC,  
Ahmednagar 414 111 (M. S.) India.  
Tel. : +91 241 2777507, 2777352  
Fax : +91 241 2777508

Head Office : CG House, 6th Floor, Dr. Annie Besant Road, Worli, Mumbai - 400 030. Tel. : (022) 24237777

### **CG International :**

Jagruti, 2nd Floor, Kanjurmarg (E),  
Mumbai - 400 042  
Phone : ++ 91 22 55558000

### **Northern Region Sales Office :**

#### **New Delhi :**

Vandana, 11, Tolstoy Marg,  
New Delhi - 110 001  
Phones : (011) 23352161, 23354514

#### **Jalandhar :**

416-417, 3rd Floor, Prestige Chambers,  
GT Road, Jalandhar - 144 001  
Phones : (0181) 2223801, 2459467

#### **Lucknow :**

Saran Chambers II, 3rd Floor, 5 Park Road,  
Lucknow - 226 001  
Phones : (0522) 2239443, 2237007 / 8

#### **Jaipur :**

Church Road, P. O. Box. No. 173,  
Jaipur - 302 001  
Phones : (0141) 2376919, 2376307

### **Eastern Region Sales Office :**

#### **Kolkata :**

50, Chowringhee Road,  
Kolkata - 700 071  
Phones : (033) 22829681 / 85

#### **Bhubaneshwar :**

Janpath Tower, Third Floor, Ashok Nagar,  
Unit II, Bhubaneshwar - 751 009  
Phones : (0674) 2531128 / 29

#### **Patna :**

Eastern Logistics, Behind Mithila Motors,  
Exhibition Road, Patna - 800 001  
Phones : (0612) 2212751, 2624762

#### **Guwahati :**

533, K. C. Chaudhury Road, Satribari,  
Guwahati - 781 008  
Phones : (0361) 2543830, 255018

### **Regional Service Centres**

**North** : Vandana, 11, Tolstoy Marg, New Delhi - 110 001. Phones : (011) 23352161/62

**East** : 21, R. N. Mukherjee Road, Kolkata - 700 001. Phone : (033) 22829160

**West** : C/o Geologistics, Bldg. No. D & E, Chamunda Complex, Thane Bhivandi Rd.,  
Kasheli, Bhivandi - 400 421. Phone : (022) 39522053

**South** : 3A, MGR Salai, Kodambakkam High Road, Nungambakkam,  
Chennai - 600 034. Phone : (044) 28257375

### **Western Region Sales Office :**

#### **Mumbai :**

Kanjur Marg (E),  
Mumbai - 400 042  
Phones : (022) 55558000

#### **Ahmedabad :**

909-916, Sakar II, Nr. Ellis Bridge Police Station,  
Ahmedabad - 380 006  
Phones : (079) 26587238 / 7328

#### **Pune :**

Premium Point, 4th Floor, Opp. Modern High  
School, Jangli Maharaj Road, Pune - 411 005  
Phones : (020) 25534675 / 77

#### **Indore :**

103-B, Apollo Trade Centre, 2B, Rajgarh Kothi,  
Mumbai-Agra Road, Indore - 452 001  
Phones : (0731) 2498269, 2498276

#### **Nagpur :**

3, West High Court Road, L. B. Shastri Chowk,  
Dharampeth, Nagpur - 440 010  
Phones : (0172) 2531271, 2560870 / 71

### **Southern Region Sales Office :**

#### **Chennai :**

No. 3-A, MGR Salai, Kodambakkam High Road,  
Nungambakkam, Chennai - 600 034  
Phones : (044) 52247500

#### **Bangalore :**

1st Floor, Janardhana Towers, 562/640,  
Bannerghetta Rd, Bilekahalli, Bangalore - 560 076  
Phones : (080) 51391908 / 09

#### **Cochin :**

Cherupushpam Building, 5th Floor, 300-6  
Shanmugham Road, Ernakulum, Cochin - 682 031  
Phones : (0484) 2370860 / 63, 2360240

#### **Secunderabad :**

4th Floor, Minerva House, 94,  
Sarojini Devi Road, Secunderabad - 500 003  
Phones : (040) 27847090, 27847270